

Ultrasonic Level Switch for Liquids



measuring
•
monitoring
•
analyzing

NQ



- Max. Pressure: 290 PSIG
- Max. Temperature: 250 °F
- Process Connection: 1" NPT, R 1
- 316L Stainless Steel Sensor
- Easy to Install



KOBOLD companies worldwide:

ARGENTINA, AUSTRIA, BELGIUM, BULGARIA, CANADA, CHILE, CHINA, COLOMBIA, CZECH REPUBLIC, EGYPT, FRANCE, GERMANY, GREAT BRITAIN, HUNGARY, INDIA, INDONESIA, ITALY, MALAYSIA, MEXICO, NETHERLANDS, PERU, POLAND, ROMANIA, RUSSIA, SINGAPORE, SOUTH KOREA, SPAIN, SWITZERLAND, TAIWAN, THAILAND, TUNISIA, TURKEY, USA, VIETNAM

KOBOLD Instruments, Inc.
1801 Parkway View Drive
Pittsburgh, PA 15205
☎ Main Office:
1.800.998.1020
1.412.788.4890
✉ info@koboldusa.com
www.koboldusa.com



Description

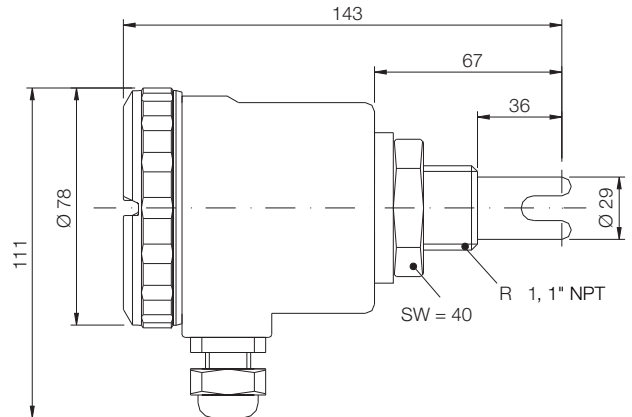
The KOBOLD NQ Ultrasonic Level Switch is a compact, ultrasonic level switch that activates when immersed in liquid. Its short intrusion length, 1.42", makes it an ideal choice for applications where container size is limited. The NQ has no moving parts and is suitable for most freely flowing media. It can either be installed as a two-wire or three-wire controller. Supply voltages ranging from 24 to 240 VAC/VDC, 50/60 Hz may be controlled in a two-wire series configuration. 316L stainless steel construction in a glass-fiber reinforced Polyamide housing make the NQ a reliable performer in industrial applications. To ease installation, the housing is rotatable up to 330° with respect to the sensor. The NQ can also be configured as a max. or min. contact in either a wet or dry state.



Technical Details

- Housing:** Glass-Fiber Reinforced Polyamide
- Sensor:** 316L Stainless Steel
- Process Connection:** 1" NPT, R 1 Male
- Power Supply:** 24-240 V_{AC/DC} (50/60 Hz)
- Electrical Connection:** Terminals, via M16 x 1.5 Cable Gland
- Switching Hysteresis:** ± 1 mm
- Load Capacity:** 0.5 A max.
- Min. Switching Current:** 7.5 mA
- Max. Peak Load:** 5 A for 40 ms max.
- Off-State Leakage:** < 4.5 mA continuous
- Voltage Drop:** 4.5 V at 500 mA
10 V at 7.5 mA
- Delays:** 1 s wet/dry
- Max. Operating Pressure:** 290 PSIG @ -40...250 °F
- Operating Temperature:** -40...250 °F
- Max. Ambient Temp:** 120 °F
- Protection:** IP 65
- Weight:** 0.95 lbs

Dimensions (mm)



Order Details

Part Number	Process Connection	Options
NQ-1000	R 1	..C = 1/2" Conduit Electrical Connection
NQ-2000	1" NPT	..EP = Extended Probe Length